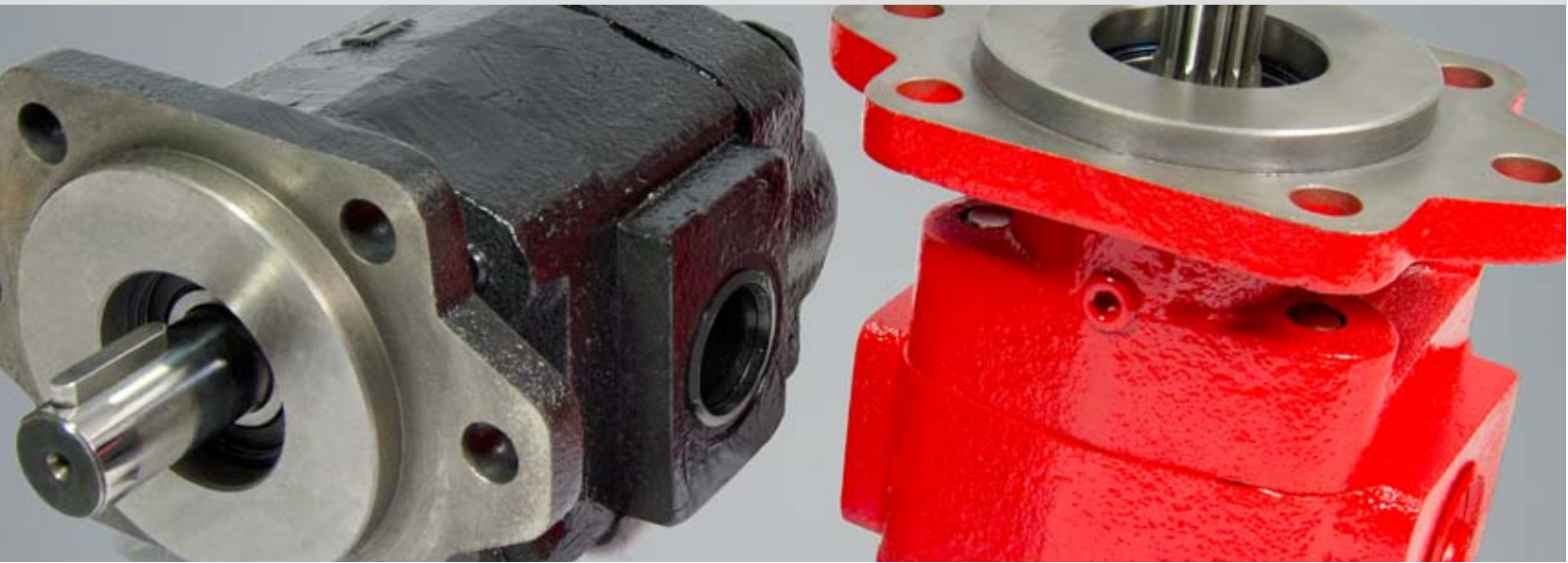


Genuine Metaris MH20 Series Gear Pumps

Bearing Style Gear Pumps & Motors



Performance When You Need it Most

Genuine Metaris MH20 series bearing pumps & motors are available in 7 different gear sizes with a variety of mounting flanges, shaft configurations and porting options. Multi-section units, piggyback designs, dowelled assemblies & flow dividers are all also available. With ductile iron housings, these pumps offer pressure ratings as high as 3000 psi for the most demanding of applications. The MH series are perfect alternatives to other gear pump products from Commercial®/Parker® and Muncie®.

- Suitable for a variety of applications
- Multiple displacements and options available
- Heavy Duty Roller Bearing Design
- Dowelled and Rugged Cast Iron Construction
- Pressure Balanced Wear Plates
- Pressures up to 3000 psi
- Multiple Bearing Carrier Options
- Variety of Mounting Flange and Shaft Options
- Speeds up to 2400 rpm
- Multiple Porting Options
- High Strength Steel Gear & Shaft Sets
- Alternatives for Commercial®/Parker® and Muncie® gear products



MH20 Series Gear Pump & Motor

MODEL CODE BREAKDOWN

Repeat for Tandem Units

1 2 3 4 5 6 7 8 9 6 7 10
MHP - 20 - A - 1 - 07 - WE - AB - 10 - 12 - DH - * - * - *

Type¹

MHP = Pump
 MHM = Motor

Unit²

A = Single Unit
 B = Tandem Unit
 C = Single or Tandem Unit w/ a Continental Shaft

Shaft End Cover³

1 = Pump w/o Shaft Bearing (Clockwise Rotation)
 2 = Pump w/o Shaft Bearing (Counter-clockwise Rotation)
 3 = Pump w/o Shaft Bearing (Double Rotation)
 4 = Pump w/ Shaft Bearing (Clockwise Rotation)
 5 = Pump w/ Shaft Bearing (Counter-clockwise Rotation)
 6 = Pump w/ Shaft Bearing (Double Rotation)
 8 = Motor w/ Shaft Bearing & 1/4" Drain Port
 9 = Motor w/o Shaft Bearing & 1/4" Drain Port

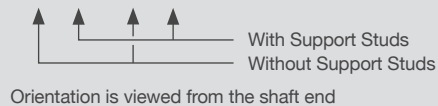
Shaft End Cover⁴

27 = 4-Bolt Cloverleaf Mount (Type 2) 94 = SAE 2-Bolt "A" Mount (Type 1)
 42 = SAE 4-Bolt "B" Mount (Type 1) 96 = SAE 2-Bolt "B" Mount (Type 2)
 46 = SAE 2/4-Bolt "B" Mount (Type 1) 97 = SAE 2-Bolt "B" Mount (Type 1)

Port End Cover⁵

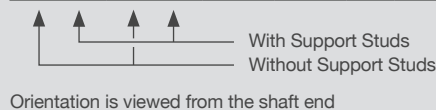
NPT Codes

Single Units	Tandem Units	Port Size		A	B
		Left	Right		
BE BY	BI BJ	None	None	n/a	n/a
KE KY	KI KY	3/4"	None	n/a	1.4
LE LY	LI LY	None	3/4"	1.4	n/a
ME MY	MI MY	3/4"	3/4"	1.4	1.4
QU QQ	QO QQ	1"	1"	1.4	1.4
AI	AI	3/4"	1"	1.4	1.4
EI	EI	1"	3/4"	1.4	1.4



ORB Codes

Single Units	Tandem Units	Port Size		A	B
		Left	Right		
CE CY	CI CJ	3/4"	None	n/a	1.4
DE DY	DI DJ	None	3/4"	1.4	n/a
FE FY	FI FJ	3/4"	3/4"	1.4	1.4
GE GY	GI GJ	1"	3/4"	1.4	1.4
HE HY	HI HJ	3/4"	1"	1.4	1.4
JE JY	JI JY	1"	1"	1.4	1.4
MA YO	MU YO	1"	None	n/a	1.4
RA RO	SU RO	None	1"	1.4	n/a



Connecting Shaft¹⁰

For connecting tandem units
 1 = Connecting Shaft - Multiple Units

Bearing Carriers⁹

See technical catalog for options

Shaft Type⁸

07 = SAE "C" 14 Tooth Spline 1.250" Dia. (Cont. Only)
 12 = Keyed Shaft .75" Dia. x 1.56 Key (Cont. Only)
 15 = SAE "B" Keyed .875 Dia. w/ 5/8"-18 Thd (Cont. Only)
 25 = SAE "B" 13 Tooth Spline .88" Dia.
 30 = SAE "B" Keyed .88" Dia. 1/4" x 3/8" x 1" Key
 43 = SAE "BB" Keyed 1" Dia. 1/4" x 3/8" x 1-1/4" Key
 95 = SAE "A" 9 Tooth Spline .62" Dia.
 65 = SAE "B" Spline Type 2
 66 = SAE "B" Keyed Type 2
 98 = SAE "BB" 15 Tooth Spline 1" Dia.

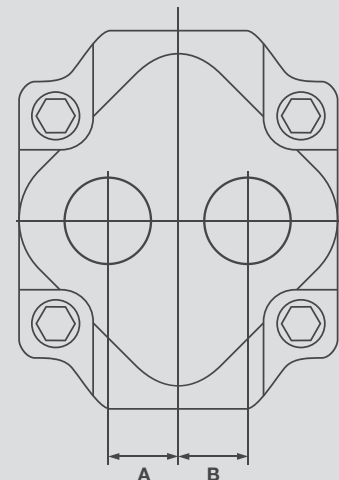
Gear Size⁷

Code / Displacement (in³/r)

05	07	10	12	15	17	20
(.99)	(1.48)	(1.97)	(2.46)	(2.96)	(3.45)	(3.94)

Gear Housing⁶

See technical catalog for options



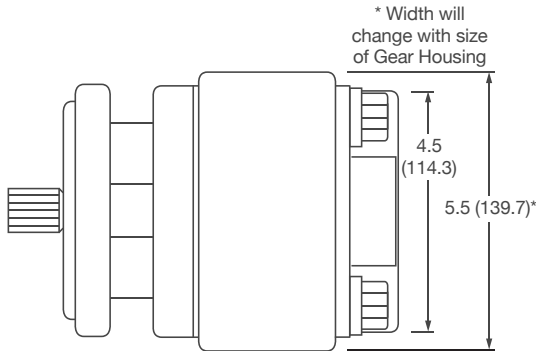
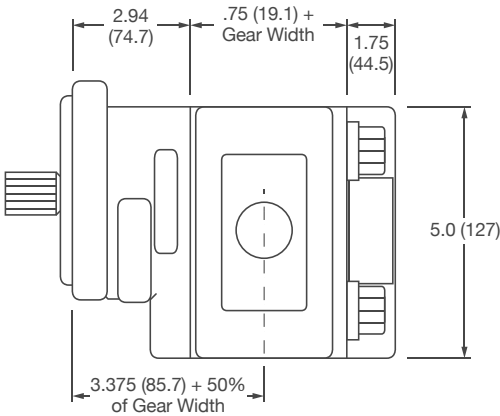
SPECIFICATIONS

GEAR WIDTH		DISPLACEMENT		MAX PRESSURE		WEIGHT
		IN ³ /REV	(CM ³ /REV)	PSI	BAR	LBS (KGS)
.05	1/2"	.99	(16.1)	3000	(207)	24 (11)
.07	3/4"	1.48	(24.2)	3000	(207)	25 (11)
1.00	1"	1.97	(32.3)	3000	(207)	26 (12)
1.25	1-1/4"	2.46	(40.4)	3000	(207)	28 (13)
1.50	1-1/2"	2.96	(48.4)	3000	(207)	29 (13)
1.75	1-3/4"	3.45	(56.5)	2500	(172)	31 (14)
2.00	2"	3.94	(64.6)	2500	(172)	33 (15)

DIMENSIONS

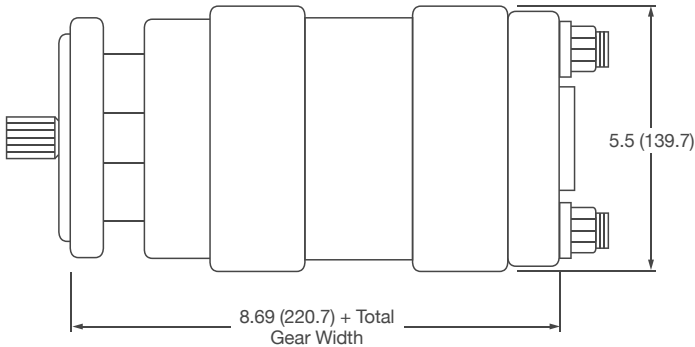
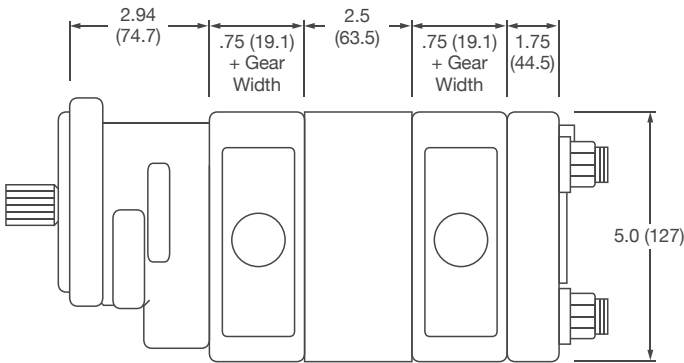
Single Unit

* Shaft dimension will change with the type of shaft used.



Multiple Unit

* Shaft dimension will change with the type of shaft used.

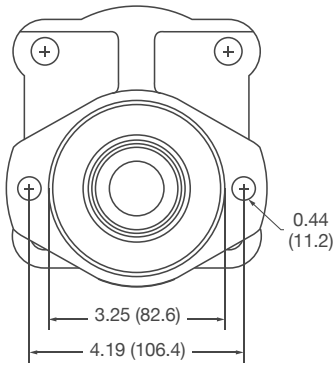


Dimensions are in inches (millimeters).

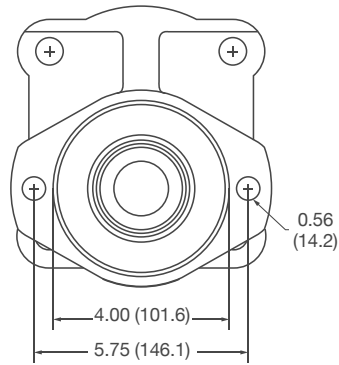
MH20 Series Gear Pump & Motor

SHAFT COVER DIMENSIONS

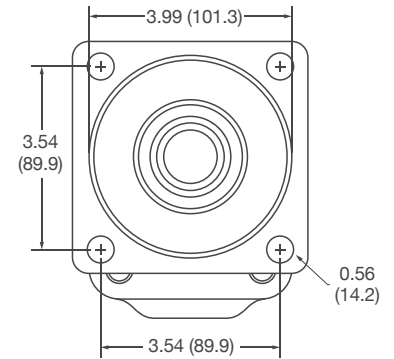
2-Bolt "A" Mount



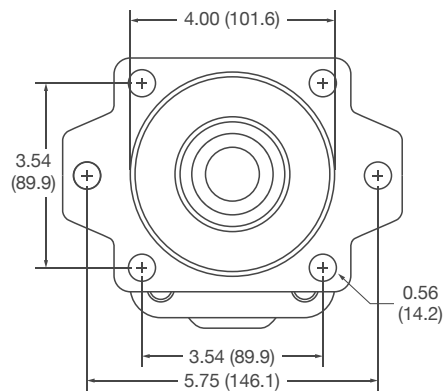
2-Bolt "B" Mount



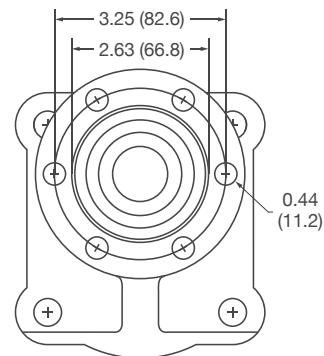
4-Bolt "B" Mount



2/4-Bolt "B" Mount



6-Bolt Round Mount



Dimensions are in inches (millimeters).



Hydralex Global Corporate
48175 Gratiot Ave
Chesterfield, MI 48051
Toll Free: 800.422.4279
Tel: 586.949.4240
www.hydralex.com

Hydralex Global - Michigan
Hydralex Global - Mississippi
Hydralex Global - ON, Canada
Hydralex Global - Washington
Hydralex Global - Tennessee

Tel: 586.949.4240
Tel: 601.469.1987
Tel: 416.638.6000
Tel: 253.604.0400
Tel: 901.794.2462

sales@ahx1.com
sales@metarisusa.com
sales@metaris.com
sales@h-r-d.com
sales@flinthydrostatics.com



Connect with us: [f](#) [t](#) [in](#) [You Tube](#)

All manufacturers names, symbols and descriptions in this document are used for reference purposes only, and it is not implied that any parts listed is the product of these manufacturers.