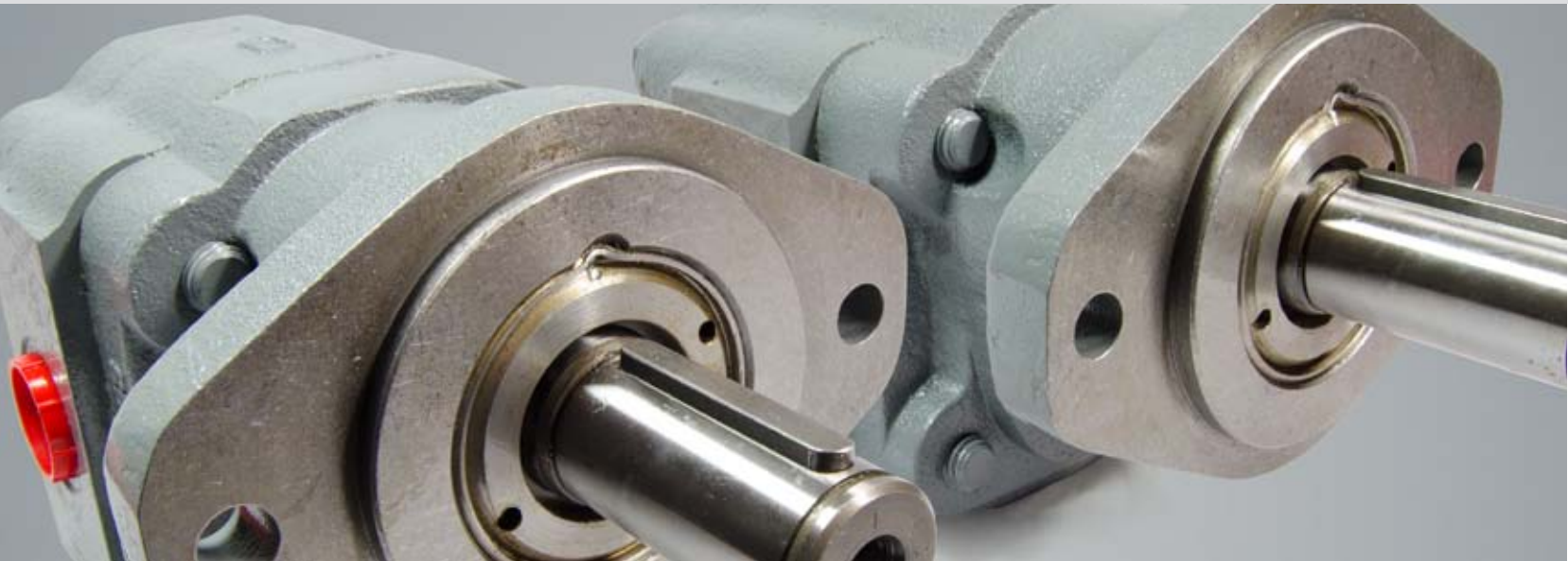


Genuine Metaris MH25 Series Gear Pumps

Bearing Style Gear Pumps & Motors



Performance When You Need it Most

Genuine Metaris MH25 series bearing pumps & motors are available in 8 different gear sizes with a variety of mounting flanges, shaft configurations and porting options. Multi-section units, piggyback designs, dowelled assemblies & flow dividers are all also available. With ductile iron housings, these pumps offer pressure ratings as high as 2500 psi for the most demanding of applications. The MH series are perfect alternatives to other gear pump products from Commercial®/Parker® and Muncie®.

- Suitable for a variety of applications
- Multiple displacements and options available
- Heavy Duty Roller Bearing Design
- Dowelled and Rugged Cast Iron Construction
- Pressure Balanced Wear Plates
- Pressures up to 2500 psi
- Multiple Bearing Carrier Options
- Variety of Mounting Flange and Shaft Options
- Speeds up to 2400 rpm
- Multiple Porting Options
- High Strength Steel Gear & Shaft Sets
- Alternatives for Commercial®/Parker® and Muncie® gear products



MH25 Series Gear Pump & Motor

MODEL CODE BREAKDOWN

Repeat for Tandem Units

1
2
3
4
5
6
7
8
9
6
7
10
MHP - 25 - X - 1 - 07 - WE - AB - 10 - 25 - DH - * - * - *

Type ¹

MHP = Pump
MHM = Motor

Unit ²

X = Single or Tandem Unit w/ a Continental Shaft

Shaft End Cover ³

- 1 = Pump w/ Single Shaft Bearing (Clockwise Rotation) *Type 1 or 2*
- 2 = Pump w/ Single Shaft Bearing (Counter-clockwise Rot) *Type 1 or 2*
- 3 = Pump w/ Single Shaft Bearing (Double Rotation) *Type 1 or 2*
- 4 = Pump w/ Double Shaft Bearing (Clockwise Rotation) *Type 3*
- 5 = Pump w/ Double Shaft Bearing (Counter-clockwise Rot) *Type 3*
- 6 = Pump w/ Double Shaft Bearing (Double Rotation) *Type 3*
- 7 = Motor w/ Single Shaft Bearing & 1/4" Drain Port *Type 1 or 2*
- 8 = Motor w/ Double Shaft Bearing & 1/4" Drain Port *Type 3*
- 9 = Motor w/ Single Shaft Bearing & No Drain Port *Type 1 or 2*

Shaft End Cover ⁴

- 00 = Pad Mount (*Type 1 or 3*)
- 01 = Modified Pad Mount (*Type 1*)
- 03 = Round Flange 6-Bolt (*Type 1*)
- 04 = Round Flange 4-Bolt 2.883 Pilot (*Type 2*)
- 05 = Round Flange 6-Bolt 6.625 Pilot (*Type 2*)
- 07 = Round Flange 4-Bolt 2.883 Pilot (*Type 2*)
- 40 = 4-Bolt SQ. 3.249 Pilot (*Type 1*)
- 42 = SAE 4-Bolt "B" Mount (*Type 1 or 3*)
- 43 = SAE 4-Bolt "B" Mount w/ 2 Drains (*Type 1*)
- 78 = SAE 4-Bolt "C" Mount (*Type 1 or 3*)
- 95 = SAE 2-Bolt "B" Mount w/ 2 Drains (*Type 1*)
- 97 = SAE 2-Bolt "B" Mount (*Type 1 or 3*)
- 98 = SAE 2-Bolt "C" Mount (*Type 1*)

Port End Cover ⁵

NPT Codes

Single Units	Tandem Units	Port Size		A	B
		Left	Right		
BE BY	BI BY	None	None	n/a	n/a
FE FY	FI FY	3/4"	None	n/a	1.38
CE CY	CI CY	None	3/4"	1.38	n/a
GE GY	GI GY	3/4"	3/4"	1.38	1.38

BSP Ring Codes

Single Units	Tandem Units	Port Size		A	B
		Left	Right		
AE AY	AI AY	3/4"	None	n/a	1.38
QE QY	QI QY	None	3/4"	1.38	n/a
SE SY	SI SY	3/4"	3/4"	1.38	1.38

O-ring Codes

Single Units	Tandem Units	Port Size		A	B
		Left	Right		
HE HY	HI HY	1/2"	None	n/a	1.38
DE DY	DI DY	None	1/2"	1.38	n/a
JE JY	JI JY	1/2"	1/2"	1.38	1.38
UE UY	UI UY	5/8"	None	n/a	1.38
NE NY	NI NY	None	5/8"	1.38	n/a
KE KY	KI KY	3/4"	None	n/a	1.38
LE LY	LI LY	None	3/4"	1.38	n/a
ME MY	MI MY	3/4"	3/4"	1.38	1.38

With Support Studs
 Without Support Studs

Orientation is viewed from the shaft end

Metric Str. Thd Codes

Single Units	Tandem Units	Port Size		A	B
		Left	Right		
EB YB	IB YB	5/8"	None	n/a	1.38
EF YF	IF YF	None	5/8"	1.38	n/a
EV YV	IV YV	5/8"	5/8"	1.38	1.38
EE EY	EI EY	3/4"	5/8"	n/a	1.38
VE VY	VI VY	5/8"	3/4"	1.38	n/a
TE TY	TI TY	3/4"	None	n/a	1.38
WE WY	WI WY	None	3/4"	1.38	n/a
XE XY	XI XY	3/4"	3/4"	1.38	1.38

With Support Studs
 Without Support Studs

Orientation is viewed from the shaft end

Connecting Shaft ¹⁰

For connecting tandem units

1 = Connecting Shaft - Multiple Units

Bearing Carriers ⁹

See technical catalog for options

Shaft Type ⁸

- 03 = 6 Tooth Spline 1.1096" Dia. x 2-1/8" Ext. (*Type 1*)
- 07 = SAE "C" 14 Tooth Spline 1.250" Dia. (*Type 1*)
- 11 = SAE "C" Keyed 1.250" Dia. (*Type 1*)
- 25 = SAE "B" 13 Tooth Spline .88" Dia. (*Type 1*)
- 30 = SAE "B" Keyed .88" Dia. 1/4" x 3/8" x 1" Key (*Type 1*)
- 38 = .8745" Dia. Keyed 1-7/16" Ext. x 1-1/4" Key (*Type 1*)
- 39 = .8745" Dia. Keyed 2-15/16" Ext. (*Type 1*)
- 43 = SAE "BB" Keyed 1" Dia. 1/4" x 3/8" x 1-1/4" Key (*Type 1*)
- 45 = .8745" Dia. Keyed 2-13/32" Ext. x 1-1/4" Key (*Type 2*)
- 47 = .9996" Dia. Keyed x 1-1/4" Ext. (*Type 2*)
- 48 = SAE "B" 13 Tooth Spline .875" Dia. (*Type 2*)
- 53 = SAE "C" 14 Tooth Spline 1.250" Dia. (*Type 2*)
- 61 = 1.250" Dia. Keyed x 1-1/2" Keyed (*Type 2*)
- 73 = 1.249" Dia. Keyed, Drilled & Tapped x 1-1/2" (*Type 3*)
- 76 = .999" Dia. Keyed Grooved x 1-1/2" Keyed (*Type 3*)

Gear Size ⁷

Code / Displacement (in³/r)

07	10	12	15	17	20	22	25
(1.91)	(2.55)	(3.19)	(3.83)	(4.46)	(5.10)	(5.74)	(6.38)

Gear Housing ⁶

See technical catalog for options

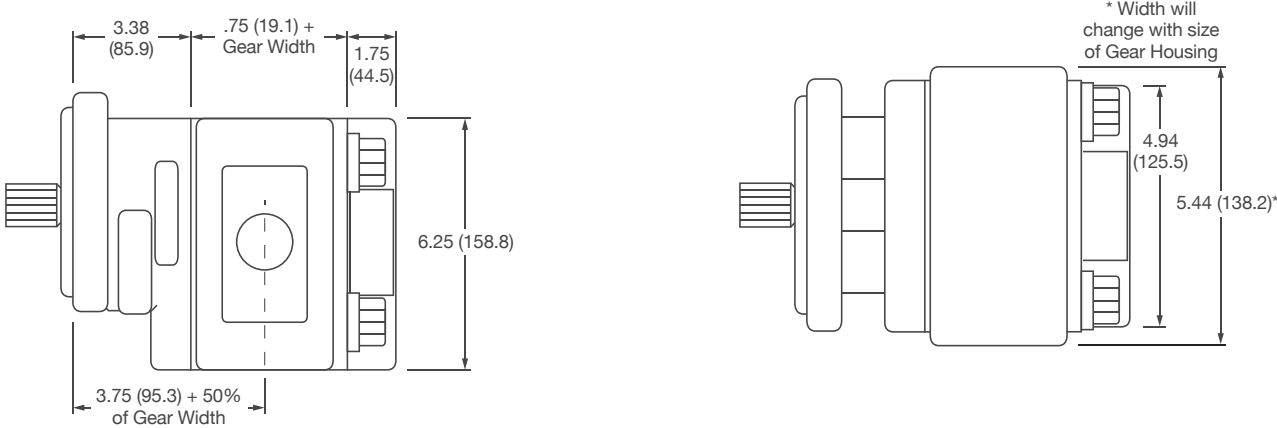
SPECIFICATIONS

GEAR WIDTH		DISPLACEMENT		MAX PRESSURE		WEIGHT
		IN ³ /REV	(CM ³ /REV)	PSI	BAR	LBS (KGS)
.07	3/4"	1.91	(31.3)	2500	(172)	39 (18)
1.00	1"	2.55	(41.8)	2500	(172)	42 (19)
1.25	1-1/4"	3.19	(52.3)	2500	(172)	44 (20)
1.50	1-1/2"	3.83	(62.8)	2500	(172)	45 (20)
1.75	1-3/4"	4.46	(73.1)	2000	(137)	47 (21)
2.00	2"	5.10	(83.6)	2000	(137)	48 (22)
2.25	2-1/4"	5.74	(94.1)	2000	(137)	50 (23)
2.50	2-1/2"	6.38	(104.5)	2000	(137)	52 (24)

DIMENSIONS

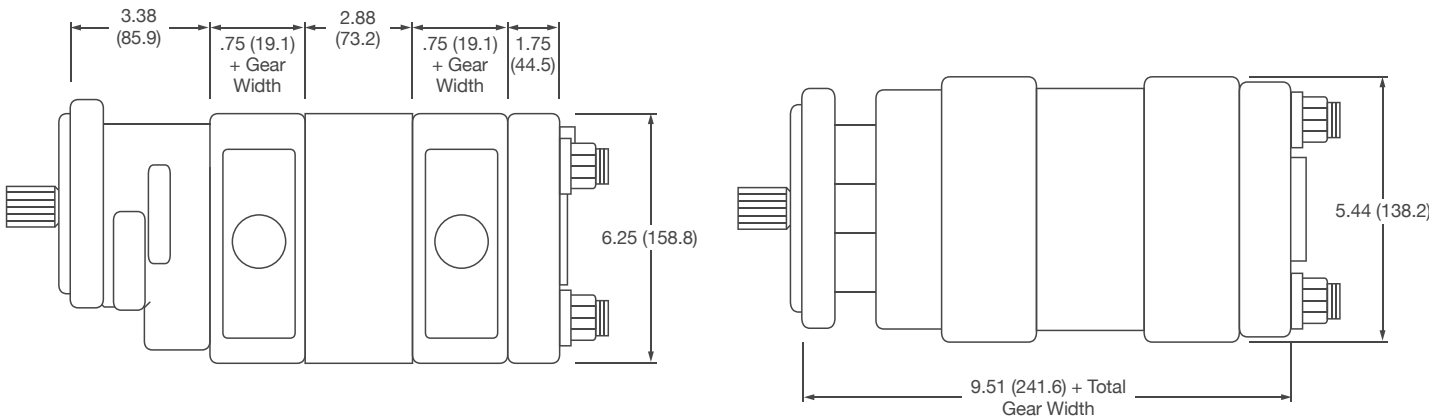
Single Unit

* Shaft dimension will change with the type of shaft used.



Multiple Unit

* Shaft dimension will change with the type of shaft used.

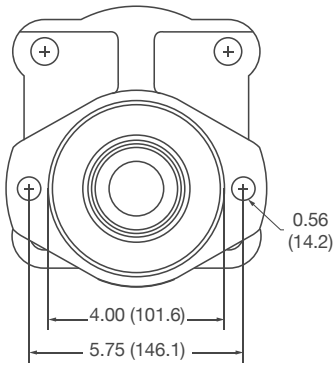


Dimensions are in inches (millimeters).

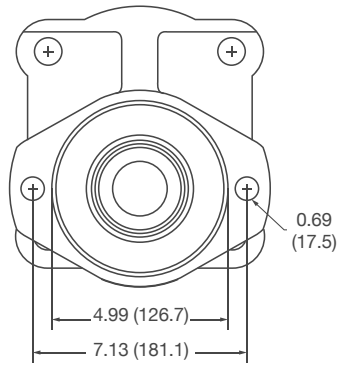
MH25 Series Gear Pump & Motor

SHAFT COVER DIMENSIONS

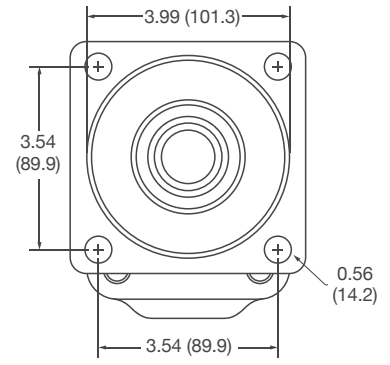
2-Bolt "B" Mount



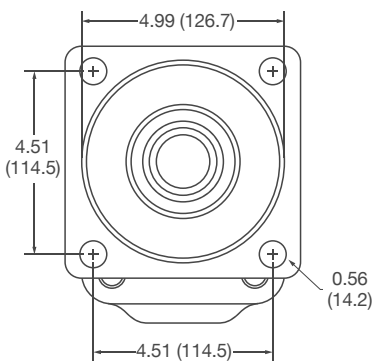
2-Bolt "C" Mount



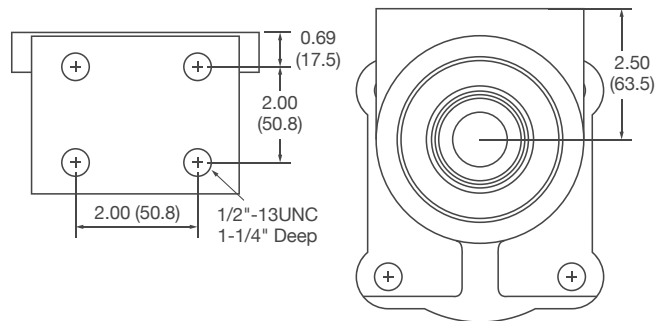
4-Bolt "B" Mount



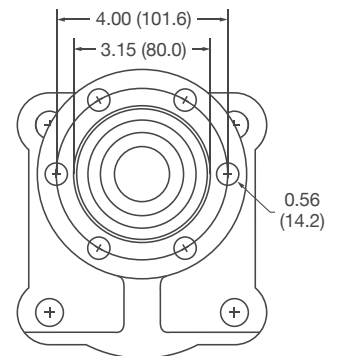
4-Bolt "C" Mount



Pad Mount



6-Bolt Round Mount



Dimensions are in inches (millimeters).



Hydralex Global Corporate
48175 Gratiot Ave
Chesterfield, MI 48051
Toll Free: 800.422.4279
Tel: 586.949.4240
www.hydralex.com

Hydralex Global - Michigan
Hydralex Global - Mississippi
Hydralex Global - ON, Canada
Hydralex Global - Washington
Hydralex Global - Tennessee

Tel: 586.949.4240
Tel: 601.469.1987
Tel: 416.638.6000
Tel: 253.604.0400
Tel: 901.794.2462

sales@ahx1.com
sales@metarisusa.com
sales@metaris.com
sales@h-r-d.com
sales@flinhydrostatics.com



Connect with us:



All manufacturers names, symbols and descriptions in this document are used for reference purposes only, and it is not implied that any parts listed is the product of these manufacturers.