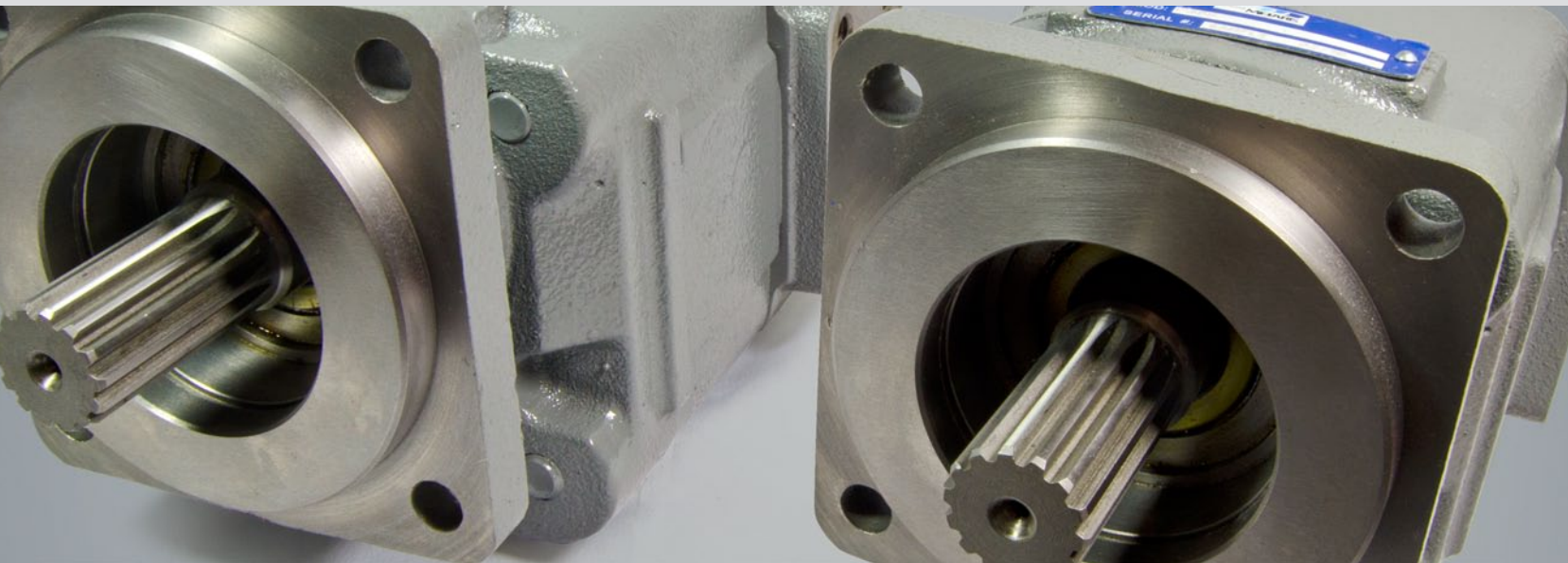


Genuine Metaris MH365 Series Gear Pumps

Bushing Style Gear Pumps & Motors



Performance When You Need it Most

Genuine Metaris MH365 series bushing pumps & motors are available in 8 different gear sizes with a variety of mounting flanges, shaft configurations and porting options. Multi-section units, piggyback designs & dowelled assemblies are all also available. With ductile iron housings, these pumps offer pressure ratings as high as 3500 psi for the most demanding of applications. The MH series are perfect alternatives to other gear pump products from Commercial®/Parker® and Muncie®.

- Suitable for a variety of applications
- Multiple displacements and options available
- Heavy Duty Sleeve Bushing Design
- Dowelled and Rugged Cast Iron Construction
- Pressure Balanced Wear Plates
- Pressures up to 3500 psi
- Multiple Bearing Carrier Options
- Variety of Mounting Flange and Shaft Options
- Speeds up to 2400 rpm
- Multiple Porting Options
- High Strength Steel Gear & Shaft Sets
- Alternatives for Commercial®/Parker® and Muncie® gear products



MH365 Series Gear Pump & Motor

MODEL CODE BREAKDOWN

Repeat for Tandem Units

1
2
3
4
5
6
7
8
9
6
7
10
MHP - 365 - A - 1 - 78 - BL - AB - 10 - 11 - AU - * - * - *

Type ¹

MHP = Pump
MHM = Motor

Unit ²

A = Single Unit
B = Tandem Unit
C = Single or Tandem Unit w/ a Continental Shaft
L = Unit w/ Extended Studs

Shaft End Cover ³

1 = Pump w/o Shaft Bearing (Clockwise Rotation)
2 = Pump w/o Shaft Bearing (Counter-clockwise Rotation)
4 = Pump w/ Shaft Bearing (Clockwise Rotation)
5 = Pump w/ Shaft Bearing (Counter-clockwise Rotation)
8 = Motor w/ Shaft Bearing (Bi-Rotational)
9 = Motor w/o Shaft Bearing (Bi-Rotational)

Shaft End Cover ⁴

42 = SAE 4-Bolt "B" Mount
78 = SAE 4-Bolt "C" Mount
97 = SAE 2-Bolt "B" Mount
98 = SAE 2-Bolt "C" Mount

Port End Cover ⁵

Unported

		Port Size	
		In	Out
BI		None	None

Side Ported - SAE O-ring

CW	CCW	Port Size	
		In	Out
FB	BF	1-1/2"	1-1/4"
FC	CF	1-1/2"	1"
FG	GF	1-1/4"	1-1/4"
FJ	JF	1-1/4"	1"
FL	LF	1"	1"
BC	CB	1-1/2"	None
BG	GB	1-1/4"	None
BJ	JB	1"	None
BL	LB	None	1-1/4"
BN	NB	None	1"

Orientation is viewed from the shaft end

Side Ported - SAE Split Flange

CW	CCW	Port Size	
		In	Out
EC	CE	2"	1-1/2"
EF	FE	2"	1-1/4"
EG	GE	2"	1"
EH	HE	1-1/2"	1-1/2"
EJ	JE	1-1/2"	1-1/4"
EK	KE	1-1/2"	1"
EL	LE	1-1/4"	1-1/4"
EM	ME	1-1/4"	1"
EN	NE	1"	1"
OE	EO	2"	None
OF	FO	1-1/2"	None
OG	GO	1-1/4"	None
OJ	JO	1"	None
OL	LO	None	1-1/2"
OM	MO	None	1-1/4"
ON	NO	None	1"

Orientation is viewed from the shaft end

Motor - Side Ported - SAE O-ring

		Port Size	
		In	Out
VC		1-1/4"	1-1/4"
VN		1"	1"
VR		3/4"	3/4"

Motor - Side Ported - SAE Split Flange

		Port Size	
		In	Out
CR		1-1/2"	1-1/2"
CS		1-1/4"	1-1/4"
CT		1"	1"
CV		3/4"	3/4"

Connecting Shaft ¹⁰

For connecting tandem units
1 = Connecting Shaft - Multiple Units

Bearing Carriers ⁹

See technical catalog for options

Shaft Type ⁸

07 = SAE "C" 14 Tooth Spline 1.250 Dia.
11 = SAE "C" Keyed 1.249 Dia. 5/16" x 15/32" x 1-1/2" Key

Gear Size ⁷

Code / Displacement (in³/r)

07 (2.70)	10 (3.60)	12 (4.50)	15 (5.40)
17 (6.30)	20 (7.20)	22 (8.10)	25 (9.00)

Gear Housing ⁶

Code	Port Size		
	In	Out	
AB	None	None	Pump
EB	None	None	Motor

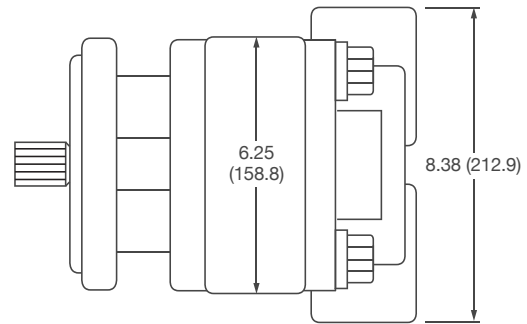
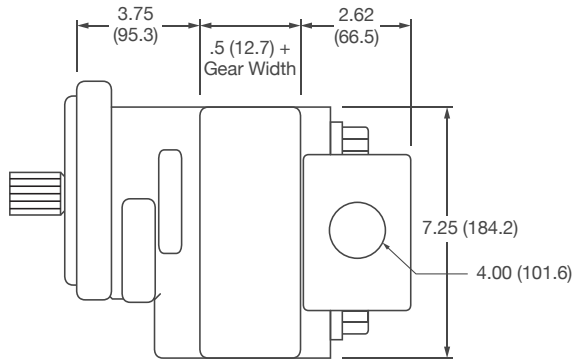
SPECIFICATIONS

GEAR WIDTH		DISPLACEMENT		MAX PRESSURE		WEIGHT
		IN ³ /REV	(CM ³ /REV)	PSI	BAR	LBS (KGS)
.07	3/4"	2.70	(44.3)	3500	(241)	-
1.00	1"	3.60	(59.0)	3500	(241)	56 (25)
1.25	1-1/4"	4.50	(73.8)	3500	(241)	59 (27)
1.50	1-1/2"	5.40	(88.5)	3500	(241)	61 (28)
1.75	1-3/4"	6.30	(103.3)	3500	(241)	64 (29)
2.00	2"	7.20	(118.0)	3500	(241)	66 (30)
2.25	2-1/4"	8.10	(132.8)	3250	(224)	69 (31)
2.50	2-1/2"	9.00	(147.5)	3000	(207)	71 (32)

DIMENSIONS

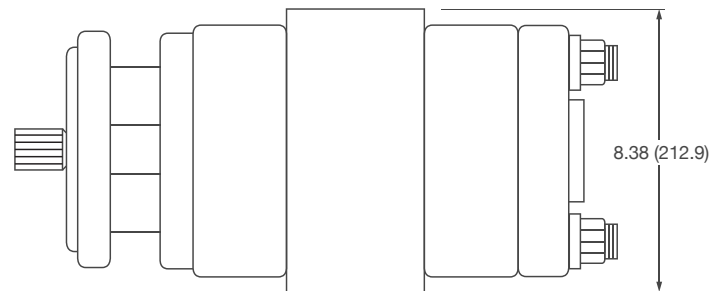
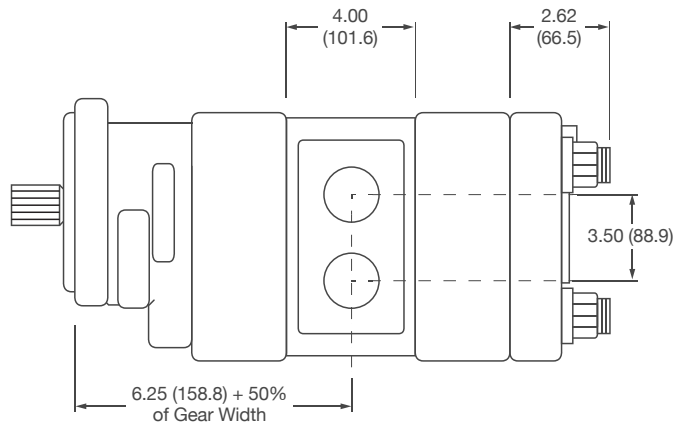
Single Unit

* Shaft dimension will change with the type of shaft used.



Multiple Unit

* Shaft dimension will change with the type of shaft used.

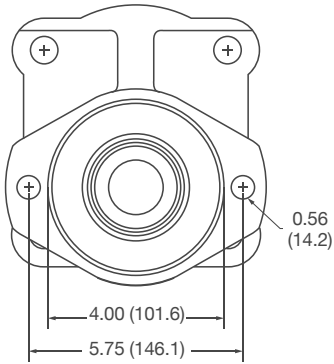


Dimensions are in inches (millimeters).

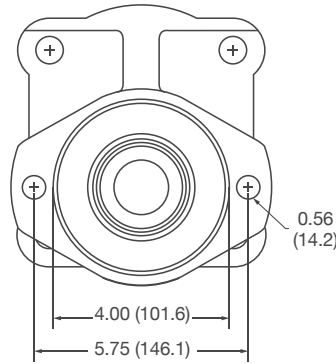
MH365 Series Gear Pump & Motor

SHAFT COVER DIMENSIONS

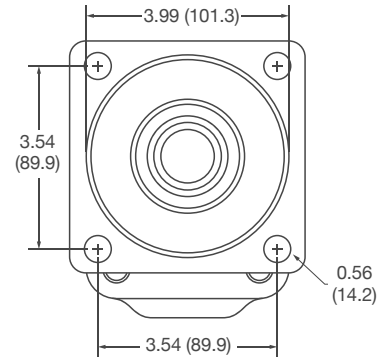
2-Bolt "B" Mount



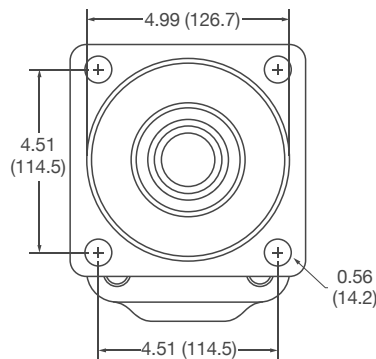
2-Bolt "C" Mount



4-Bolt "B" Mount



4-Bolt "C" Mount



Dimensions are in inches (millimeters).



Hydralex Corporate
48175 Gratiot Ave
Chesterfield, MI 48051
Toll Free: 800.422.4279
Tel: 586.949.4240

www.hydralex.com

Hydralex Detroit
Hydralex Jackson
Hydralex Seattle
Hydralex Memphis

Tel: 586.949.4240
Tel: 601.469.1987
Tel: 253.604.0400
Tel: 901.794.2462

sales@hydralex.com
sales@metarisusa.com
hrrdsales@hydralex.com
fhisales@hydralex.com



Connect with us:



All manufacturers names, symbols and descriptions in this document are used for reference purposes only, and it is not implied that any parts listed is the product of these manufacturers.