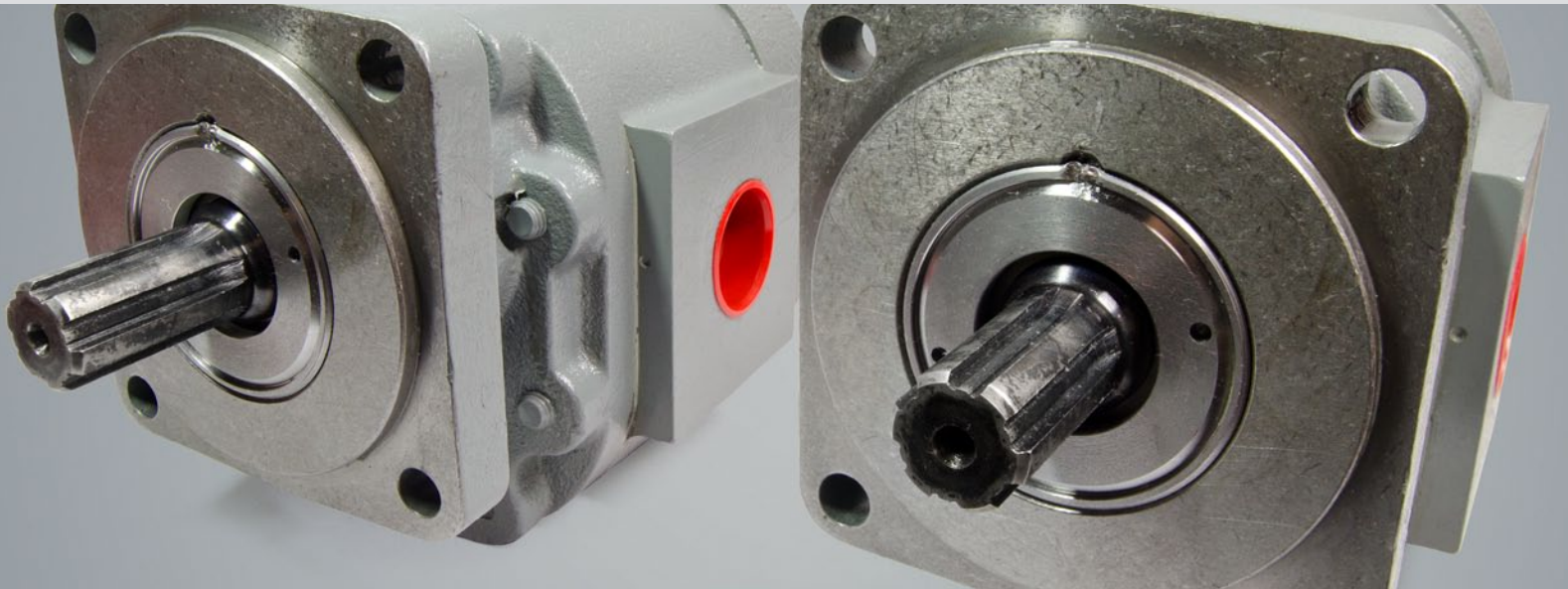


# Genuine Metaris MH37 Series Gear Pumps

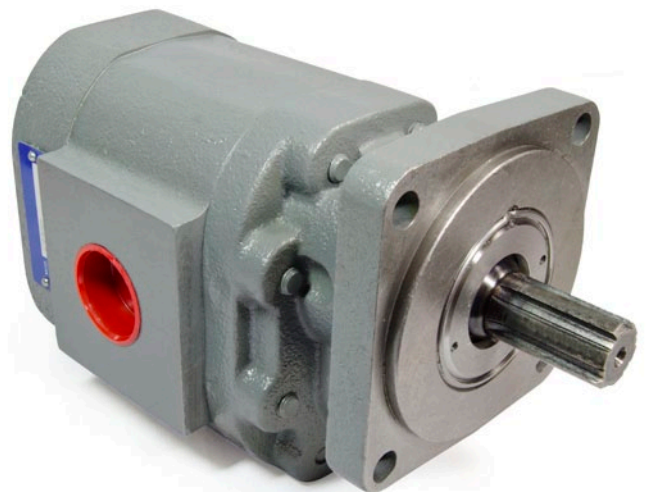
Bearing Style Gear Pumps & Motors



## Performance When You Need it Most

Genuine Metaris MH37 series bearing pumps & motors are available in 9 different gear sizes with a variety of mounting flanges, shaft configurations and porting options. Multi-section units, piggyback designs, dowelled assemblies & flow dividers are all also available. With ductile iron housings, these pumps offer pressure ratings as high as 2500 psi for the most demanding of applications. The MH series are perfect alternatives to other gear pump products from Commercial®/Parker® and Muncie®.

- Suitable for a variety of applications
- Multiple displacements and options available
- Heavy Duty Roller Bearing Design
- Dowelled and Rugged Cast Iron Construction
- Pressure Balanced Wear Plates
- Pressures up to 2500 psi
- Multiple Bearing Carrier Options
- Variety of Mounting Flange and Shaft Options
- Speeds up to 2400 rpm
- Multiple Porting Options
- High Strength Steel Gear & Shaft Sets
- Alternatives for Commercial®/Parker® and Muncie® gear products



# MH37 Series Gear Pump & Motor

## MODEL CODE BREAKDOWN

Repeat for Tandem Units

1
2
3
4
5
6
7
8
9
6
7
10  
**MHP - 37 - X - 1 - 78 - MA - AB - 10 - 10 - FP - \* - \* - \***

### Type <sup>1</sup>

MHP = Pump  
MHM = Motor

### Unit <sup>2</sup>

X = Single or Tandem Unit w/ a Continental Shaft

### Shaft End Cover <sup>3</sup>

1 = Pump w/ Shaft Bearing (Clockwise Rotation)  
 2 = Pump w/ Shaft Bearing (Counter-clockwise Rotation)  
 3 = Pump w/ Shaft Bearing (Double Rotation)  
 7 = Motor w/ Shaft Bearing & 1/4" Drain Port  
 9 = Motor w/ Shaft Bearing & No Drain Port

### Shaft End Cover <sup>4</sup>

11 = Pad Mount  
 42 = SAE 4-Bolt "B" Mount (Drain Location @ 1 o'clock position)  
 45 = SAE 4-Bolt "B" Mount (Drain Location @ 12 o'clock position)  
 78 = SAE 4-Bolt "C" Mount  
 81 = Round Flange 6-Bolt 3.99 Pilot  
 98 = SAE 2-Bolt "C" Mount

### Port End Cover <sup>5</sup>

#### NPT Codes

Single Units	Tandem Units	Port Size		A	B
		Left	Right		
BA   BI	BY   BU	None	None	n/a	n/a
CA   CI	CY   CU	None	3/4"	1.43	n/a
FA   FI	FY   FU	3/4"	None	n/a	1.43
GA   GI	GY   GU	3/4"	3/4"	1.43	1.43
DA   DI	DY   DU	None	1"	1.43	n/a
JA   JI	JY   JU	1"	None	n/a	1.43
KA   KI	KY   KU	1"	3/4"	1.43	1.43
HA   HI	HY   HU	3/4"	1"	1.43	1.43
LA   LI	LY   LU	1"	1"	1.43	1.43

↑ ↑ ↑ ↑  
 With Support Studs  
 Without Support Studs

Orientation is viewed from the shaft end

#### O-ring Ports Codes

Single Units	Tandem Units	Port Size		A	B
		Left	Right		
MA   MI	MY   MU	3/4"	3/4"	1.43	1.43
NA   NI	NY   NU	None	3/4"	1.43	n/a
PA   PI	PY   PU	3/4"	None	n/a	1.43

↑ ↑ ↑ ↑  
 With Support Studs  
 Without Support Studs

Orientation is viewed from the shaft end

### Connecting Shaft <sup>10</sup>

For connecting tandem units  
 1 = Connecting Shaft - Multiple Units

### Bearing Carriers <sup>9</sup>

See technical catalog for options

### Shaft Type <sup>8</sup>

02 = 1.1247 Dia. Keyed Shaft  
 03 = 6 Tooth Spline 1.1096 Dia. x 2-1/8" Ext.  
 06 = .966 Dia. 6 Tooth Spline  
 07 = SAE "C" 14 Tooth Spline 1.25 Dia.  
 08 = 1.250 Dia. Keyed Shaft  
 10 = 1.1235 Dia. 6 Tooth Spline Shaft  
 11 = SAE "C" Keyed 1.249 Dia.  
 25 = SAE "B" 13 Tooth Spline .875" Dia.  
 30 = SAE "B" Keyed .88" Dia. 1/4" x 3/8" x 1" Key  
 38 = .8745 Dia. Keyed 1-7/16" Ext. x 1-1/4" Key  
 73 = 1.249 Dia. Keyed, Drilled & Tapped x 1-1/2"

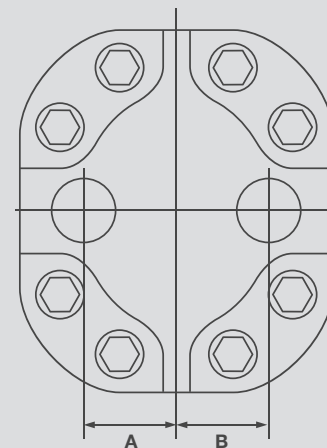
### Gear Size <sup>7</sup>

Code / Displacement (in<sup>3</sup>/r)

07	10	12	15	17	20	22	25	30
(2.25)	(3.00)	(3.75)	(4.50)	(5.25)	(6.00)	(6.75)	(7.50)	(9.00)

### Gear Housing <sup>6</sup>

See technical catalog for options



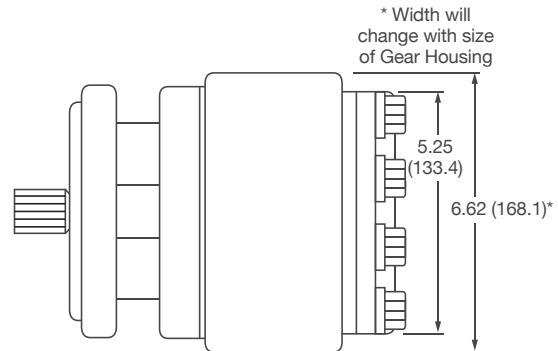
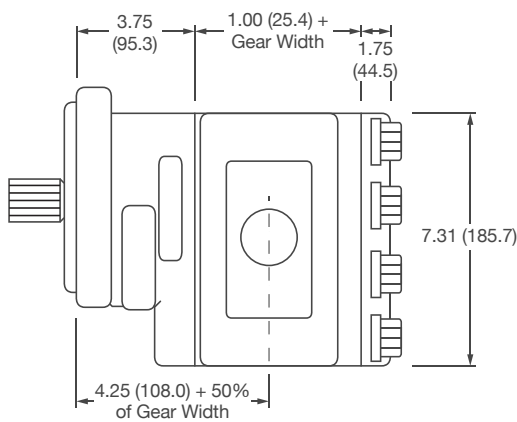
# SPECIFICATIONS

GEAR WIDTH		DISPLACEMENT		MAX PRESSURE		MAX PRESSURE (DOWELLED)		WEIGHT
		IN <sup>3</sup> /REV	(CM <sup>3</sup> /REV)	PSI	BAR	PSI	BAR	LBS (KGS)
.07	3/4"	2.25	(36.9)	2000	(138)	2500	(172)	54 (24)
1.00	1"	3.00	(49.2)	2000	(138)	2500	(172)	56 (25)
1.25	1-1/4"	3.75	(61.5)	2000	(138)	2500	(172)	58 (26)
1.50	1-1/2"	4.50	(73.7)	2000	(138)	2500	(172)	60 (27)
1.75	1-3/4"	5.25	(86.0)	2000	(138)	2500	(172)	62 (28)
2.00	2"	6.00	(98.3)	2000	(138)	2500	(172)	65 (29)
2.25	2-1/4"	6.75	(110.6)	2000	(138)	2500	(172)	68 (31)
2.50	2-1/2"	7.50	(122.9)	2000	(138)	2500	(172)	71 (32)
3.00	3"	9.00	(147.5)	2000	(138)	2500	(172)	78 (35)

# DIMENSIONS

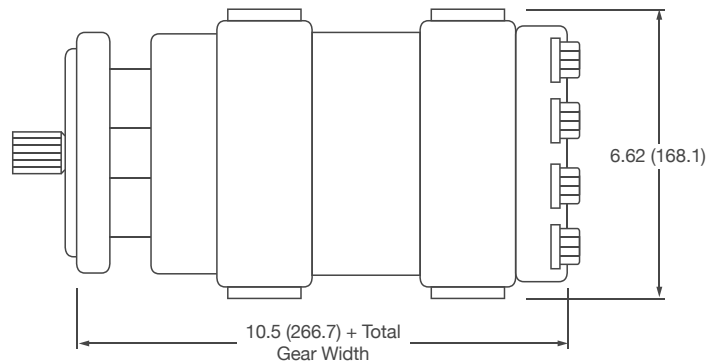
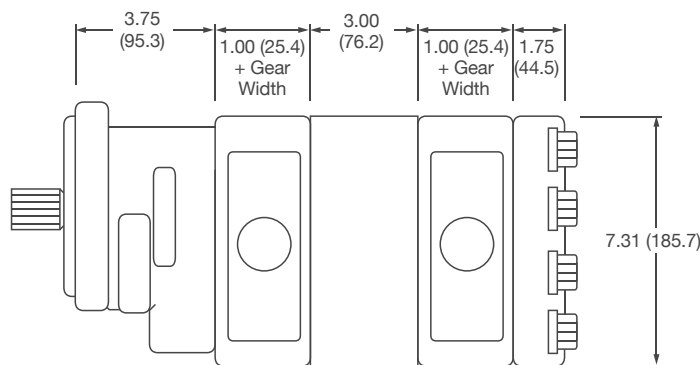
## Single Unit

\* Shaft dimension will change with the type of shaft used.



## Multiple Unit

\* Shaft dimension will change with the type of shaft used.

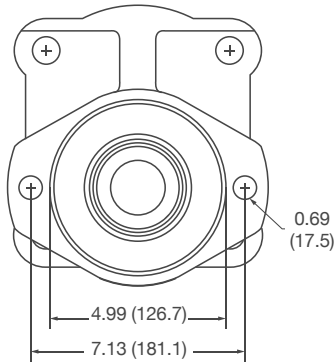


Dimensions are in inches (millimeters).

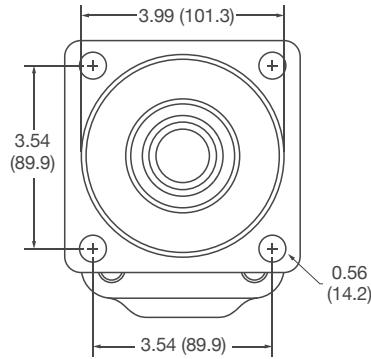
# MH37 Series Gear Pump & Motor

## SHAFT COVER DIMENSIONS

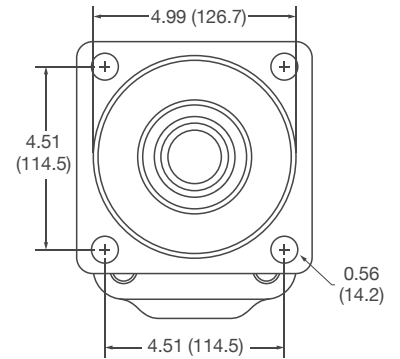
2-Bolt "C" Mount



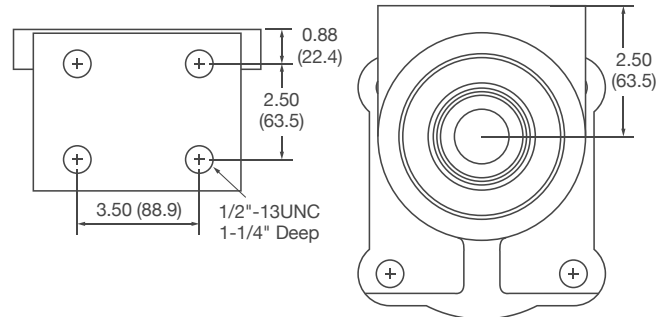
4-Bolt "B" Mount



4-Bolt "C" Mount



Pad Mount



Dimensions are in inches (millimeters).



Hydraulex Corporate  
48175 Gratiot Ave  
Chesterfield, MI 48051  
Toll Free: 800.422.4279  
Tel: 586.949.4240

[www.hydraulex.com](http://www.hydraulex.com)

Hydraulex Detroit  
Hydraulex Jackson  
Hydraulex Seattle  
Hydraulex Memphis

Tel: 586.949.4240  
Tel: 601.469.1987  
Tel: 253.604.0400  
Tel: 901.794.2462

[sales@hydraulex.com](mailto:sales@hydraulex.com)  
[sales@metarisusa.com](mailto:sales@metarisusa.com)  
[hrrdsales@hydraulex.com](mailto:hrrdsales@hydraulex.com)  
[fhisales@hydraulex.com](mailto:fhisales@hydraulex.com)



Connect with us:



All manufacturers names, symbols and descriptions in this document are used for reference purposes only, and it is not implied that any parts listed is the product of these manufacturers.