

Genuine Metaris MH75/76 Series Gear Pumps

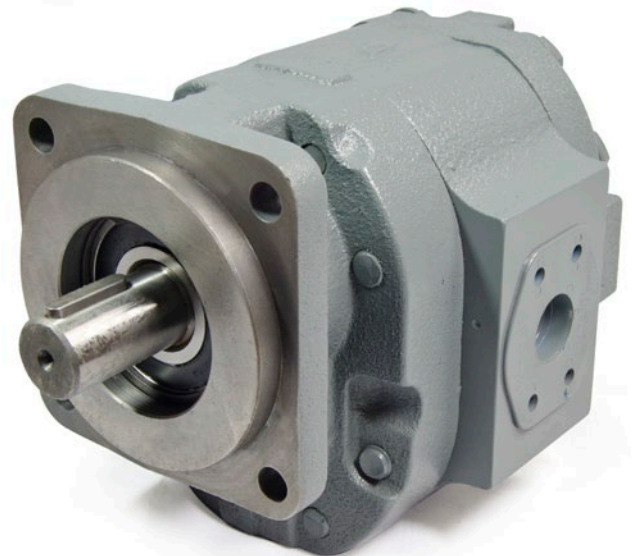
Bearing Style Gear Pumps & Motors



Performance When You Need it Most

Genuine Metaris MH75/76 series bearing pumps & motors are available in 10 different gear sizes with a variety of mounting flanges, shaft configurations and porting options. Multi-section units, piggyback designs, dowelled assemblies & flow dividers are all also available. With ductile iron housings, these pumps offer pressure ratings as high as 3000 psi for the most demanding of applications. The MH series are perfect alternatives to other gear pump products from Commercial®/Parker® and Muncie®.

- Suitable for a variety of applications
- Multiple displacements and options available
- Heavy Duty Roller Bearing Design
- Dowelled and Rugged Cast Iron Construction
- Pressure Balanced Wear Plates
- Pressures up to 3000 psi
- Multiple Bearing Carrier Options
- Variety of Mounting Flange and Shaft Options
- Speeds up to 2400 rpm
- Multiple Porting Options
- High Strength Steel Gear & Shaft Sets
- Alternatives for Commercial®/Parker® and Muncie® gear products



MH75/76 Series Gear Pump & Motor

MODEL CODE BREAKDOWN

Repeat for Tandem Units

1 2 3 4 5 6 7 8 9 6 7 10

MHP - 76 - A - 1 - 78 - BE - AB - 10 - 11 - DB - * - * - *

Type ¹

MHP = Pump
MHM = Motor

Unit ²

A = Single Unit
B = Tandem Unit
C = Single or Tandem Unit w/ a Continental Shaft

Shaft End Cover ³

1 = Pump w/o Shaft Bearing (Clockwise Rotation)
2 = Pump w/o Shaft Bearing (Counter-clockwise Rotation)
3 = Pump w/o Shaft Bearing (Double Rotation)
4 = Pump w/ Shaft Bearing (Clockwise Rotation)
5 = Pump w/ Shaft Bearing (Counter-clockwise Rotation)
6 = Pump w/ Shaft Bearing (Double Rotation)
8 = Motor w/ Shaft Bearing & 1/4" Drain Port
9 = Motor w/o Shaft Bearing & 1/4" Drain Port

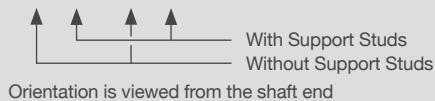
Shaft End Cover ⁴

42 = SAE 4-Bolt "B" Mount
78 = SAE 4-Bolt "C" Mount
80 = SAE 4-Bolt "D" Mount
98 = SAE 2-Bolt "C" Mount

Port End Cover ⁵

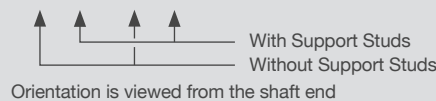
NPT Codes

Single Units	Tandem Units	Port Size		A	B
		Left	Right		
BE BY	BI BJ	None	None	n/a	n/a



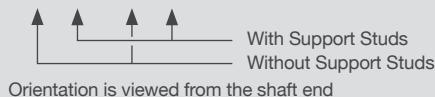
O-ring Ports Codes

Single Units	Tandem Units	Port Size		A	B
		Left	Right		
JE JY	JL JY	1"	1"	1.62	1.62



Metric Str. Thd. Ports

Single Units	Tandem Units	Port Size		A	B
		Left	Right		
TE TY	TI TJ	1"	1"	1.62	1.62



Connecting Shaft ¹⁰

For connecting tandem units
1 = Connecting Shaft - Multiple Units

Bearing Carriers ⁹

See technical catalog for options

Shaft Type ⁸

07 = SAE "C" 14 Tooth Spline 1.250 Dia.
11 = SAE "C" Keyed 1.249 Dia. 5/16" x 15/32" x 1-1/2" Key

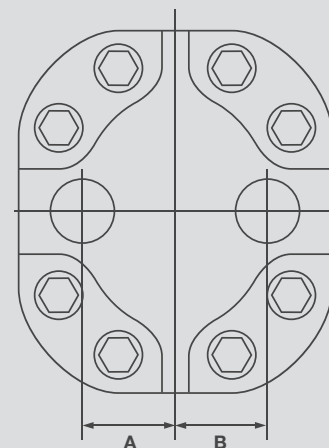
Gear Size ⁷

Code / Displacement (in³/r)

07	10	12	15	17	20	22	25	27	30
(3.07)	(4.10)	(5.12)	(6.15)	(7.17)	(8.20)	(9.22)	(10.3)	(11.3)	(12.3)

Gear Housing ⁶

See technical catalog for options



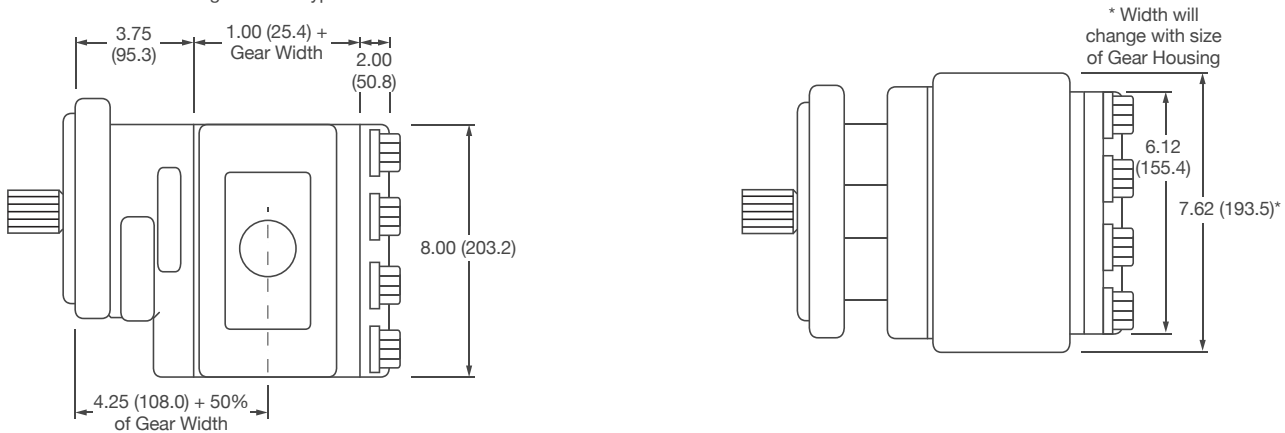
SPECIFICATIONS

GEAR WIDTH		DISPLACEMENT		MAX PRESSURE		MAX PRESSURE (DOWELLED)		WEIGHT
		IN ³ /REV	(CM ³ /REV)	PSI	BAR	PSI	BAR	LBS (KGS)
.07	3/4"	3.07	(50.3)	2500	(172)	3000	(207)	70 (32)
1.00	1"	4.1	(67.2)	2500	(172)	3000	(207)	72 (33)
1.25	1-1/4"	5.12	(83.9)	2500	(172)	3000	(207)	74 (34)
1.50	1-1/2"	6.15	(100.7)	2500	(172)	3000	(207)	76 (34)
1.75	1-3/4"	7.17	(117.5)	2500	(172)	3000	(207)	79 (36)
2.00	2"	8.2	(134.3)	2500	(172)	2500	(172)	82 (37)
2.25	2-1/4"	9.22	(151)	2250	(155)	2500	(172)	85 (39)
2.50	2-1/2"	10.25	(167.8)	2250	(155)	2500	(172)	88 (40)
2.75	2-3/4"	11.28	(185)	2000	(145)	2000	(145)	90 (41)
3.00	3"	12.3	(201)	2000	(145)	2000	(145)	92 (42)

DIMENSIONS

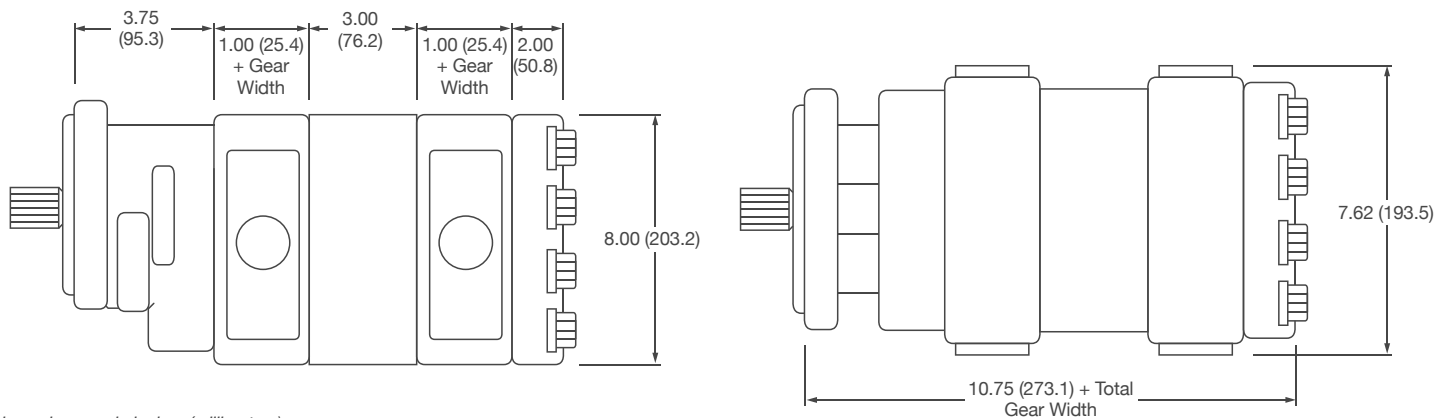
Single Unit

* Shaft dimension will change with the type of shaft used.



Multiple Unit

* Shaft dimension will change with the type of shaft used.

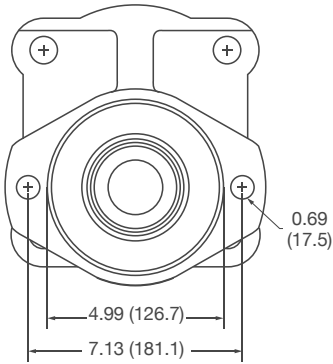


Dimensions are in inches (millimeters).

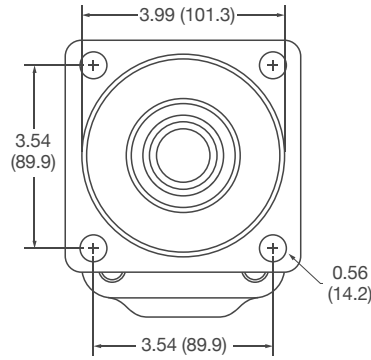
MH75/76 Series Gear Pump & Motor

SHAFT COVER DIMENSIONS

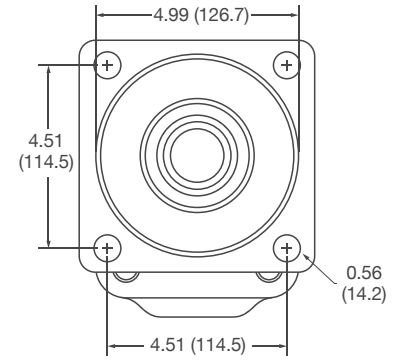
2-Bolt "C" Mount



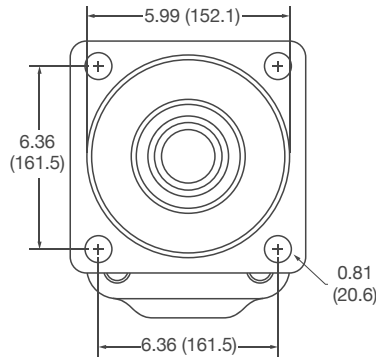
4-Bolt "B" Mount



4-Bolt "C" Mount



4-Bolt "D" Mount



Dimensions are in inches (millimeters).



Hydralex Corporate
48175 Gratiot Ave
Chesterfield, MI 48051
Toll Free: 800.422.4279
Tel: 586.949.4240

www.hydralex.com

Hydralex Detroit
Hydralex Jackson
Hydralex Seattle
Hydralex Memphis

Tel: 586.949.4240
Tel: 601.469.1987
Tel: 253.604.0400
Tel: 901.794.2462

sales@hydralex.com
sales@metarisusa.com
hrrdsales@hydralex.com
fhisales@hydralex.com



Connect with us:



All manufacturers names, symbols and descriptions in this document are used for reference purposes only, and it is not implied that any parts listed is the product of these manufacturers.